

## ▶ PRM-120

Intel Core i7 AMC Processor Card

### ▶ SUMMARY

Featuring the Intel® Core™ i7 32nm 3<sup>rd</sup> Gen processor and Intel Ixex Peak PCH, the PARPRO Embedded Systems PRM-130 Processor Card is a high performance processor AdvancedMC™ (PrAMC) card designed for use in ATCA or MicroTCA systems. The PRM-120 can be delivered with up to 8GB of 72-bit wide DDR3 ECC memory running at 1066 MHz and 1-8 GB of onboard bootable SSD, the .

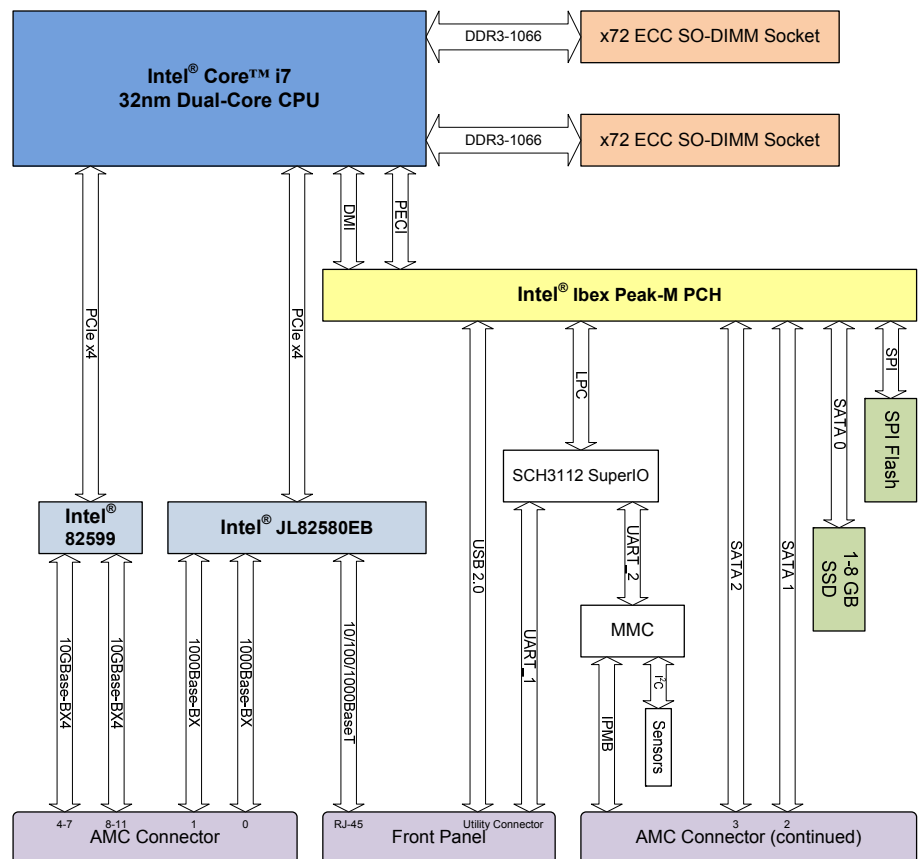
Refer to the block diagram for detail.



### ▶ APPLICATIONS

- ◆ Industrial Control Systems
- ◆ Military Automation

### ▶ BLOCK DIAGRAM





# PRM-120

Intel Core i7 AMC Processor Card

▶ SPECIFICATIONS



Central Processing Units (CPUs)	Intel Core i7 32nm CPU <ul style="list-style-type: none"> <li>Up to 8GB of DDR3 memory w/ ECC running up to 1066MHz</li> <li>Bus width of x72</li> </ul>
I/O Capabilities	AMC.3 Dual SATA channels (Lanes 2, 3) AMC.2 Type 6, Dual 10GigE (Lanes 4-7, 8-11) AMC.2 Dual 1000Base-BX Ports configured as Type E2 (Lanes 0, 1) 10/100/1000Base-T Port on Front Panel Serial Protocols <ul style="list-style-type: none"> <li>USB on Front Panel</li> <li>RS-232 on Front Panel</li> </ul>
Mass Storage	1-8 GB Solid State Drive (SSD)
BIOS support	PXE boot (GigE or 10GigE ports) SATA boot (off-board devices) SSD boot USB boot (off-board devices)
Mechanical	Standard AMC Full-Size or Mid-Size form factor
Environmental	Operating temperature range: 0 to 55 °C Humidity: 0 to 95% (non-condensing)